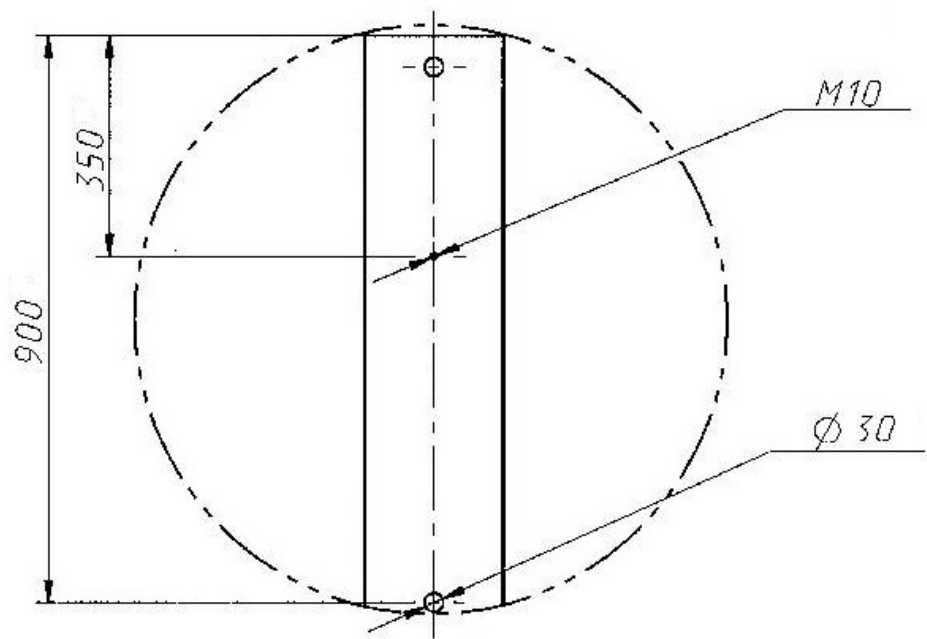


A (1:10)



B-B (1:5)

